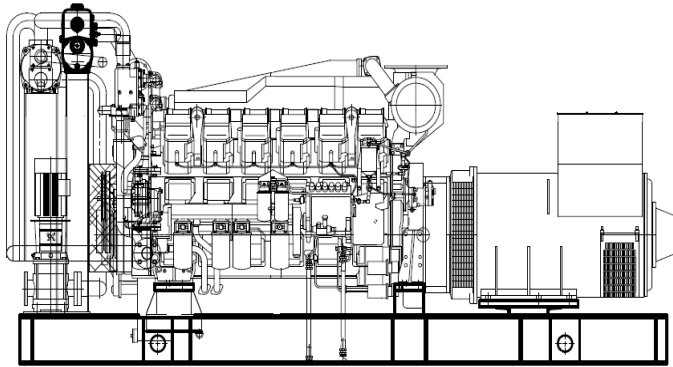


Gensets of RIGAS DIZELIS DG make, based on MITSUBISHI are compact in design which leads to easy installation and maintenance. MITSUBISHI marine engine's cylinder heads are individually divided by cylinder. Its original Mitsubishi fuel injection pump and turbocharger bring superb combustion matching, and a hydraulic or electronic governor is available to provide optimum control of the engine in your application.

RIGAS DIZELIS DG marine gensets based on MITSUBISHI have been designed and developed to operate in diverse sea conditions. Certification by all major classification authorities is available.



Description & Key Scope

- Common bed frame, manufactured of electro welded steel profiles
- Control panel (on genset frame)
- Vibration isolators between generating set and base frame
- Keel or heat exchanger cooling system
- Engine heater
- 24V starter, engine-driven charging alternator
- Flexible compensator and silencer
- Alternator anti-condensation heater
- Drawing & Manual package
- Factory Test Report
- Factory Quality Certificates
- Certificates from major IACS members are available
- EIAPP certificate for engine with Technical File

Genset model	PRP*, kWe	Fuel consumption (100% load), l/h	Genset model	PRP*, kWe	Fuel consumption (100% load), l/h	Length**, cm	Width**, cm	Height**, cm	Weight**, kg
50 Hz, 400 V, 1500 rpm			60 Hz, 440 V, 1800 rpm						
EM1056MsS	1056	262.0	6EM1220MsS	1220	302.7	476	182	221	10450

** final dimensions and weight dependent on selected options

Description & Key Scope

* Prime Power rated in accordance with ISO 3046-1 in ambient conditions of 45°C and 100kPa.

For continuous operation and unlimited yearly operation at varying load. Max. mean load factor of 70% of rated power over 24h of operation. 1 hour/12 hours period of accumulated peak overload to 110%.

Engine General Data*

Maker	MITSUBISHI
Model	S12R-MPTAW
No of cylinders	V-12
Working principle	4-stroke
Displacement, L	49.03
Bore x stroke, mm	170 x 180
Compression ratio	14.5:1
Piston speed, m/s	9.0 at 1500 rpm 10.8 at 1800 rpm
Aspiration	Turbocharged, Intercooler
Rotation (seen from flywheel end)	Counter clockwise
Flywheel	SAE 21"
Injection pump	Mitsubishi PS6 Type x 2
Governor type	Hydraulic
Oil capacity	111 liter
Starter type	2-pole, 24V, DC

* Other engine parameters are available on request.

Alternator General Data**

Maker	STAMFORD (CUMMINS) LEROY-SOMER (other brands on request)
Poles	4
Cos φ	0.8
Coupling	Direct
Insulation class	H
Temperature Rise class	F/H
Execution	Brushless
Standard protection	IP23

** Other alternator parameters are available on request.

Available Key Options (other options are available on request)

Engine

- Radiator cooling system (for Emergency / Harbour gensets)
- Manual or electric lub oil drain pump
- Starting batteries
- Static battery charger
- Air, spring or hydraulic starter
- Duplex oil and fuel filters
- Electronic governor

Alternator

- Winding temperature measuring
- Bearing temperature measuring
- Quadrature droop kit for parallel operation
- Air filter
- IP44 protection
- Water cooling

Control

- Remote control panel
- Potentiometers for remote engine speed and alternator voltage regulation

Other

- Installation in soundproof and weathertight canopy or container
- Special tools and spare parts
- Commissioning and start-up
- Extended warranty



ANNO 1949

Address: 36 Ganību dambis, Rīga, Latvia, LV-1005
Telephone: +371 67391781, +371 67381626
Fax: +371 67381925
E-mail: sales@rigasdizelis.lv
Website: www.rigasdizelis.lv